

DIECI



AGRI FARMER GD

28.7 | 28.9 | 30.7 | 30.9



dieci.com

PERFORMANCE

Vehicle model	AGRI FARMER 28.7 - GD	AGRI FARMER 30.7 - GD	AGRI FARMER 28.9 - GD	AGRI FARMER 30.9 - GD
Maximum capacity	2900 kg (6393 lb)	3000 kg (6614 lb)	2900 kg (6393 lb)	3000 kg (6614 lb)
Maximum lifting height	6,35 m (20,8 ft)	6,35 m (20,8 ft)	8,65 m (28,4 ft)	8,65 m (28,4 ft)
Maximum horizontal extension	3,60 m (11,8 ft)	3,60 m (11,8 ft)	5,60 m (18,4 ft)	5,60 m (18,4 ft)
Fork swiveling angle	146°	146°	146°	146°
Pull-out force	5800 daN (13039 lbf)	5800 daN (13039 lbf)	5800 daN (13039 lbf)	5800 daN (13039 lbf)
Towing force	5800 daN (13039 lbf)	5800 daN (13039 lbf)	5800 daN (13039 lbf)	5800 daN (13039 lbf)
Maximum climb angle	40%	40%	40%	40%
Unladen weight	6500 kg (14330 lb)	6500 kg (14330 lb)	6680 kg (14727 lb)	6680 kg (14727 lb)
Max speed (referred to wheels with maximum permitted diameter)	40 km/h (24,9 mph)	40 km/h (24,9 mph)	40 km/h (24,9 mph)	40 km/h (24,9 mph)

BOOM

Vehicle model	AGRI FARMER 28.7 - GD	AGRI FARMER 30.7 - GD	AGRI FARMER 28.9 - GD	AGRI FARMER 30.9 - GD
Lifting	8,8 s	8,8 s	8,8 s	8,8 s
Descent	4,58 s	4,58 s	4,58 s	4,58 s
Extension	6,72 s	6,72 s	6,72 s	6,72 s
Retraction	3,74 s	3,74 s	3,74 s	3,74 s
Forward swiveling	2,38 s	2,38 s	2,38 s	2,38 s
Reverse swiveling	3,83 s	3,83 s	3,83 s	3,83 s

ENGINE

Vehicle model	AGRI FARMER 28.7 - GD	AGRI FARMER 30.7 - GD	AGRI FARMER 28.9 - GD	AGRI FARMER 30.9 - GD
Brand	Kubota	Kubota	Kubota	Kubota
Nominal power	79,5 kW (107 HP)	79,5 kW (107 HP)	79,5 kW (107 HP)	79,5 kW (107 HP)
@rpm	2200 rpm	2200 rpm	2200 rpm	2200 rpm
Operation	4-stroke	4-stroke	4-stroke	4-stroke
Injection	Electronic, Common Rail	Electronic, Common Rail	Electronic, Common Rail	Electronic, Common Rail
Number and arrangement of cylinders	4, Vertical in line	4, Vertical in line	4, Vertical in line	4, Vertical in line
Displacement	3769 cm ³ (230 in ³)	3769 cm ³ (230 in ³)	3769 cm ³ (230 in ³)	3769 cm ³ (230 in ³)
Consumption	214 g/kWh (352,03 lb/Hp h)	214 g/kWh (352,03 lb/Hp h)	214 g/kWh (352,03 lb/Hp h)	214 g/kWh (352,03 lb/Hp h)
@rpm	2200 rpm	2200 rpm	2200 rpm	2200 rpm
Emission standard	Stage IV/Tier 4f	Stage IV/Tier 4f	Stage IV/Tier 4f	Stage IV/Tier 4f
Exhaust gas treatment	DOC+DPF+SCR	DOC+DPF+SCR	DOC+DPF+SCR	DOC+DPF+SCR
Cooling system	Liquid	Liquid	Liquid	Liquid
Intake	Turbocharger after-cooler	Turbocharger after-cooler	Turbocharger after-cooler	Turbocharger after-cooler

DIFFERENTIAL AXLES

Vehicle model	AGRI FARMER 28.7 - GD	AGRI FARMER 30.7 - GD	AGRI FARMER 28.9 - GD	AGRI FARMER 30.9 - GD
Type of axles	2 steering, with 4 epicycloidal reduction gears	2 steering, with 4 epicycloidal reduction gears	2 steering, with 4 epicycloidal reduction gears	2 steering, with 4 epicycloidal reduction gears
Type of steering	4 wheels / transversal / 2 wheels	4 wheels / transversal / 2 wheels	4 wheels / transversal / 2 wheels	4 wheels / transversal / 2 wheels
Front axle	Rigid	Rigid	Rigid	Rigid
Rear axle	Swinging	Swinging	Swinging	Swinging
Service braking	Oil bath with servo brake on front and rear axle with double hydraulic system	Oil bath with servo brake on front and rear axle with double hydraulic system	Oil bath with servo brake on front and rear axle with double hydraulic system	Oil bath with servo brake on front and rear axle with double hydraulic system
Parking braking	Negative actuation with electronic control	Negative actuation with electronic control	Negative actuation with electronic control	Negative actuation with electronic control

HYDRAULIC SYSTEM

Vehicle model	AGRI FARMER 28.7 - GD	AGRI FARMER 30.7 - GD	AGRI FARMER 28.9 - GD	AGRI FARMER 30.9 - GD
Hydraulic pump type	Gear pump for power steering and movements	Gear pump for power steering and movements	Gear pump for power steering and movements	Gear pump for power steering and movements
Hydraulic pump capacity	100 L/min (26,4 gal/min)	100 L/min (26,4 gal/min)	100 L/min (26,4 gal/min)	100 L/min (26,4 gal/min)
Max. operating pressure	24,5 MPa (3553 psi)	24,5 MPa (3553 psi)	24,5 MPa (3553 psi)	24,5 MPa (3553 psi)
Distributor control	Proportional 4in1 Joystick with FNR	Proportional 4in1 Joystick with FNR	Proportional 4in1 Joystick with FNR	Proportional 4in1 Joystick with FNR

REFUELING

Vehicle model	AGRI FARMER 28.7 - GD	AGRI FARMER 30.7 - GD	AGRI FARMER 28.9 - GD	AGRI FARMER 30.9 - GD
Hydraulic system (total)	140,0 L (36,98 gal)	140,0 L (36,98 gal)	140,0 L (36,98 gal)	140,0 L (36,98 gal)
Fuel tank	100,0 L (26,42 gal)	100,0 L (26,42 gal)	100,0 L (26,42 gal)	100,0 L (26,42 gal)
AdBlue tank	20,0 L (5,28 gal)	20,0 L (5,28 gal)	20,0 L (5,28 gal)	20,0 L (5,28 gal)

TRANSMISSION

Vehicle model	AGRI FARMER 28.7 - GD	AGRI FARMER 30.7 - GD	AGRI FARMER 28.9 - GD	AGRI FARMER 30.9 - GD
Transmission type	Hydrostatic with electronic control with variable displacement pump and ECO function	Hydrostatic with electronic control with variable displacement pump and ECO function	Hydrostatic with electronic control with variable displacement pump and ECO function	Hydrostatic with electronic control with variable displacement pump and ECO function
Hydraulic motor	Hydrostatic with continuous automatic adjustment	Hydrostatic with continuous automatic adjustment	Hydrostatic with continuous automatic adjustment	Hydrostatic with continuous automatic adjustment
Reversal	With electronic control operated with vehicle in motion	With electronic control operated with vehicle in motion	With electronic control operated with vehicle in motion	With electronic control operated with vehicle in motion
Inching	With electronic pedal for controlled forward movement	With electronic pedal for controlled forward movement	With electronic pedal for controlled forward movement	With electronic pedal for controlled forward movement
Transmission gearbox	Servo-controlled 2-speed	Servo-controlled 2-speed	Servo-controlled 2-speed	Servo-controlled 2-speed

TOWING CAPACITY (upon request)

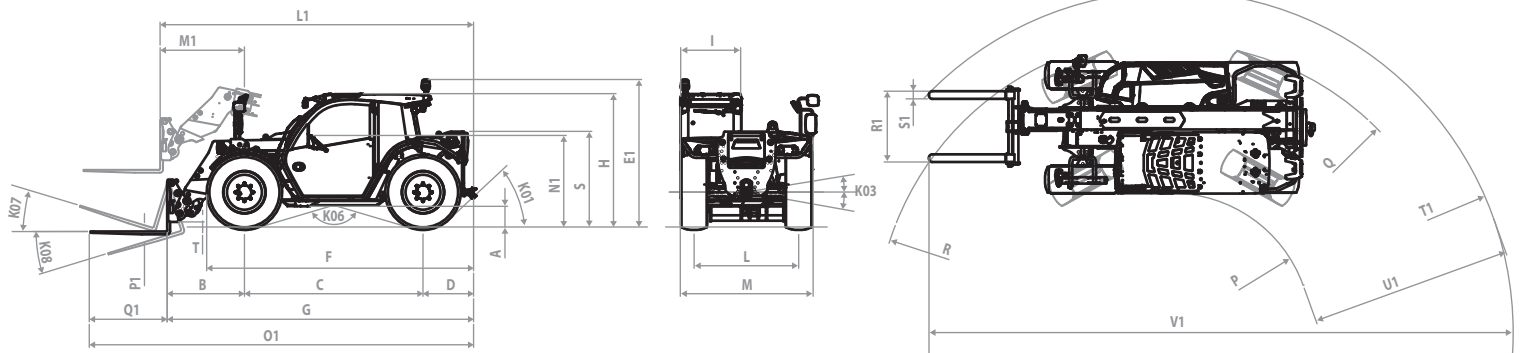
Vehicle model	AGRI FARMER 28.7 - GD	AGRI FARMER 30.7 - GD	AGRI FARMER 28.9 - GD	AGRI FARMER 30.9 - GD
Unbraked trailer	3500 kg (7716 lb)	3500 kg (7716 lb)	3500 kg (7716 lb)	3500 kg (7716 lb)
Inertia braking	8000 kg (17637 lb)	8000 kg (17637 lb)	8000 kg (17637 lb)	8000 kg (17637 lb)
Mechanical braking	6000 kg (13228 lb)	6000 kg (13228 lb)	6000 kg (13228 lb)	6000 kg (13228 lb)
Hydraulic/pneumatic braking	17000 kg (37479 lb)	17000 kg (37479 lb)	17000 kg (37479 lb)	17000 kg (37479 lb)

TIRES

Vehicle model	AGRI FARMER 28.7 - GD	AGRI FARMER 30.7 - GD	AGRI FARMER 28.9 - GD	AGRI FARMER 30.9 - GD
Standard tires	400/70x20"	400/70x20"	400/70x20"	400/70x20"
Optional tires	18-19.5";420/75R20"; 400/70x24"; 12,5x18"	18-19.5";420/75R20"; 400/70x24"; 12,5x18"	18-19.5";420/75R20"; 400/70x24"; 12,5x18"	18-19.5";420/75R20"; 400/70x24"; 12,5x18"

DIMENSIONS

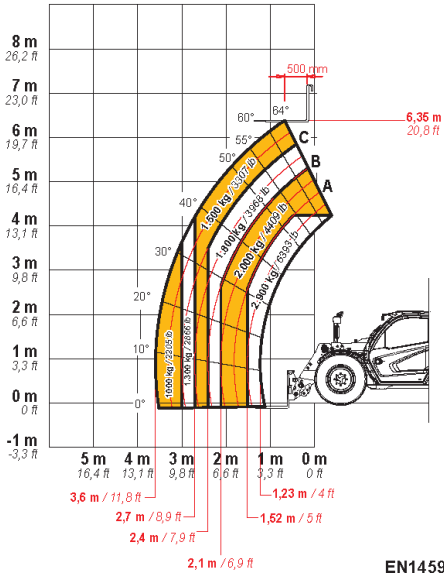
Vehicle model	AGRI FARMER 28.7 - GD	AGRI FARMER 30.7 - GD	AGRI FARMER 28.9 - GD	AGRI FARMER 30.9 - GD
A	275 mm (10,8 in)	325 mm (12,8 in)	275 mm (10,8 in)	325 mm (12,8 in)
B	1211 mm (47,7 in)	1211 mm (47,7 in)	1247 mm (49,1 in)	1247 mm (49,1 in)
C	2800 mm (110,2 in)	2800 mm (110,2 in)	2800 mm (110,2 in)	2800 mm (110,2 in)
D	813 mm (32 in)	813 mm (32 in)	813 mm (32 in)	813 mm (32 in)
E1	2260 mm (89 in)	2430 mm (95,7 in)	2260 mm (89 in)	2430 mm (95,7 in)
F	4155 mm (163,6 in)	4155 mm (163,6 in)	4155 mm (163,6 in)	4155 mm (163,6 in)
G	4824 mm (189,9 in)	4859 mm (191,3 in)	4824 mm (189,9 in)	4859 mm (191,3 in)
H	2040 mm (80,3 in)	2210 mm (87 in)	2040 mm (80,3 in)	2210 mm (87 in)
I	965 mm (38 in)	965 mm (38 in)	965 mm (38 in)	965 mm (38 in)
K01	42°	42°	42°	42°
K03	8°	8°	8°	8°
K06	147°	147°	147°	147°
K07	18°	18°	22°	22°
K08	129°	129°	124°	124°
L	1640 mm (64,6 in)	1640 mm (64,6 in)	1640 mm (64,6 in)	1640 mm (64,6 in)
L1	4935 mm (194,3 in)	4935 mm (194,3 in)	4970 mm (195,7 in)	4970 mm (195,7 in)
M	2050 mm (80,7 in)	2050 mm (80,7 in)	2050 mm (80,7 in)	2050 mm (80,7 in)
M1	1322 mm (52 in)	1324 mm (52,1 in)	1358 mm (53,5 in)	1358 mm (53,5 in)
N1	1385 mm (54,5 in)	1555 mm (61,2 in)	1385 mm (54,5 in)	1555 mm (61,2 in)
O1	6023 mm (237,1 in)	6023 mm (237,1 in)	6060 mm (238,6 in)	6060 mm (238,6 in)
P	1807 mm (71,1 in)	1807 mm (71,1 in)	1807 mm (71,1 in)	1807 mm (71,1 in)
P1	45 mm (1,8 in)	45 mm (1,8 in)	45 mm (1,8 in)	45 mm (1,8 in)
Q	4168 mm (164,1 in)	4168 mm (164,1 in)	4168 mm (164,1 in)	4168 mm (164,1 in)
Q1	1200 mm (47,2 in)	1200 mm (47,2 in)	1200 mm (47,2 in)	1200 mm (47,2 in)
R	4311 mm (169,7 in)	4311 mm (169,7 in)	4311 mm (169,7 in)	4311 mm (169,7 in)
R1	1110 mm (43,7 in)	1110 mm (43,7 in)	1110 mm (43,7 in)	1110 mm (43,7 in)
S	1445 mm (56,9 in)	1445 mm (56,9 in)	1445 mm (56,9 in)	1445 mm (56,9 in)
S1	120 mm (4,7 in)	120 mm (4,7 in)	120 mm (4,7 in)	120 mm (4,7 in)
T	80 mm (3,1 in)	80 mm (3,1 in)	160 mm (6,3 in)	160 mm (6,3 in)
T1	5090 mm (200,4 in)	5090 mm (200,4 in)	5116 mm (201,4 in)	5116 mm (201,4 in)
U1	3289 mm (129,5 in)	3289 mm (129,5 in)	3316 mm (130,6 in)	3316 mm (130,6 in)
V1	8900 mm (350,4 in)	8900 mm (350,4 in)	8962 mm (352,8 in)	8962 mm (352,8 in)



MAX
2900 kg / 6393 lb



DOC10000821



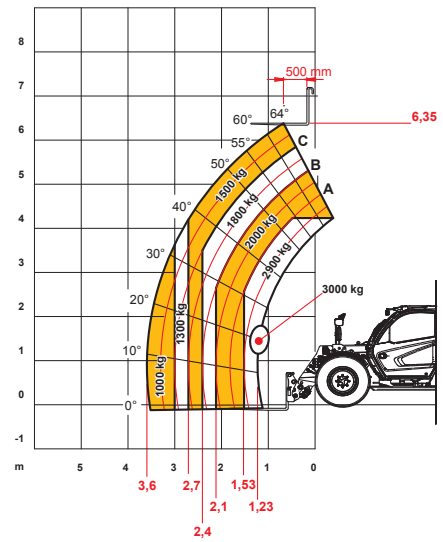
EN1459 Annex-B

28.7

MAX
3000 kg / 6614 lb



DOC10000877



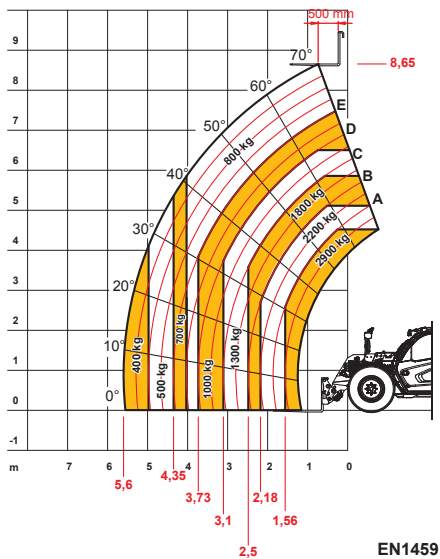
EN1459 Annex-B

30.7

MAX
2900 kg / 6393 lb



DOC10000878



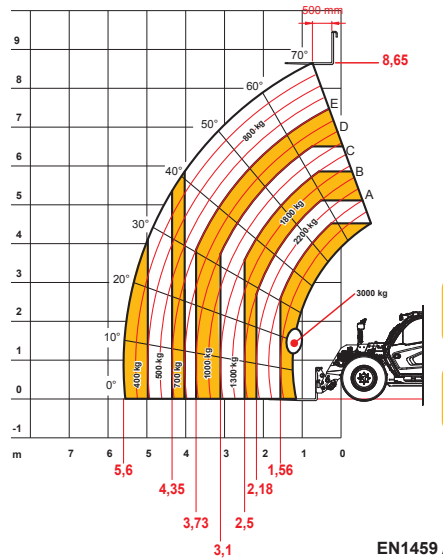
EN1459 Annex-B

28.9

MAX
3000 kg / 6614 lb



DOC10000876



EN1459 Annex-B

30.9